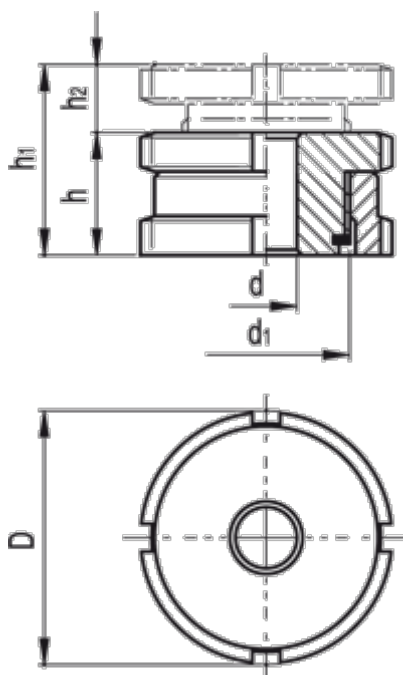


Article number: 20664174

Description: E+G Levelling set  
GN 350.1-32-9-ST

## Measures



C-spanner DIN 1810 = A30-32

d = 9.0

D = 32

d1 = M20x1

For screw = M8

h = 18

h1 = 23

h2 = 5

Max static load (N) = 65.0

Static preload (N) = 48.0

Weight (g) = 87